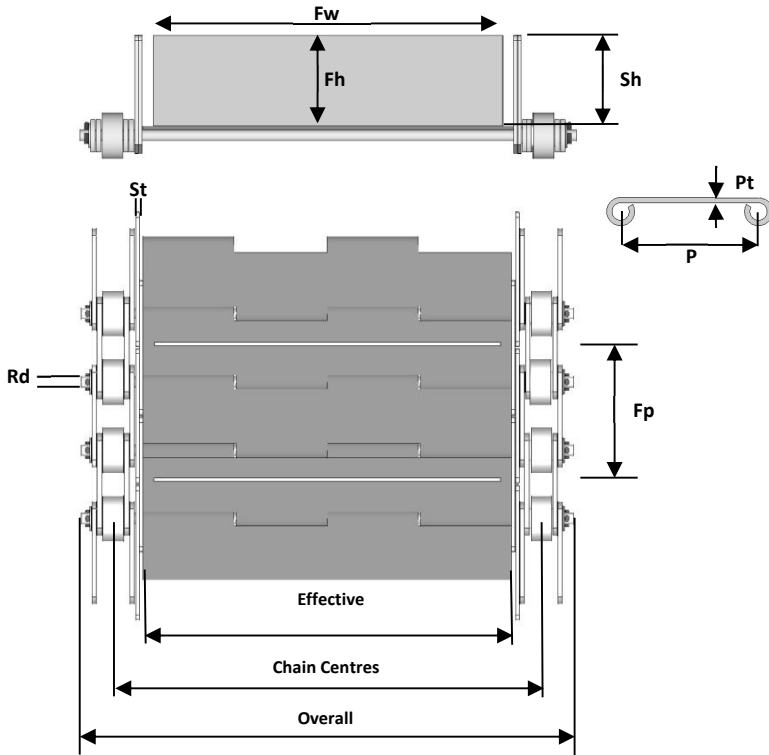
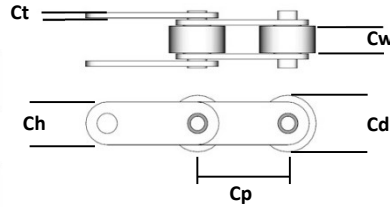
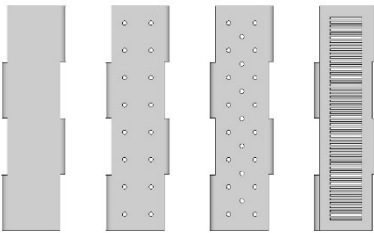




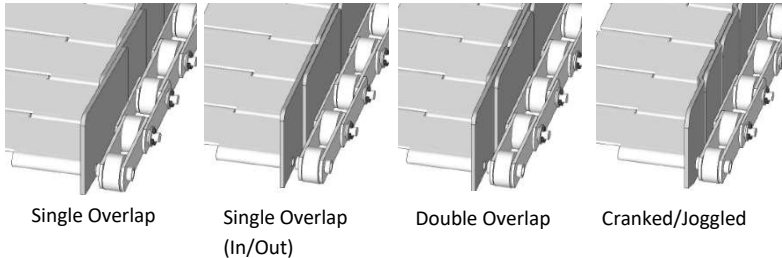
Plate Link Belt



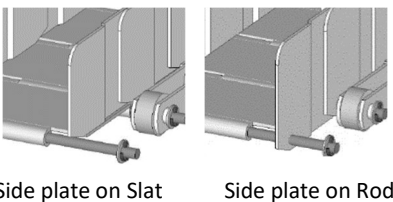
Perforated



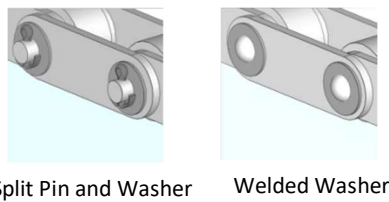
Side Plate Type



Side Plate Position



Selvage



Dimensions

Dimensions		
Plate		
P	Pitch	
Pt	Plate Thickness	
	Plate Material	
Rods		
Rd	Rod Diameter	
	Rod Material	
Chain		
Cp	Chain Pitch	
Cd	Roller Diameter	
Cw	Roller Width	
Ct	Chain Link Thick	
Ch	Chain Link Height	
	Chain Material	
Width		
	Effective	
	Chain Centres	
	Overall	
Length		
Selvage	Type	

Options

Options	Yes	No
Perforated		
Flights		
Fh	Flight Height	
Fw	Flight Width	
Fp	Flight Pitch	
Ft	Flight Thickness	
Side Plates		
	Type	
Sh	SP Height	
St	SP Thickness	
Position	Welded on Slat	On Rods